

Skyline CCL-1

Compact & Rugged Wide-band LTE Antenna

- Compact design combined with high performance antenna element
- Separated RF adapter and cable design for installation flexibility
- Apply weather-resistance antenna enclosure material for harsh environment



The CCL-1 is a compact and rugged industrial-grade antenna with 2G/3G/4G coverage. The outstanding antenna efficiency on all cellular bands and water ingress design makes it easy to install and able to meet commercial and industrial standards.



Proprietary Design

CCL-1's unique radome design ensures the operability and RF radiation.



Seamless, Integrally Formed Radome

The housing provides full coverage to the base, allowing excellent water-proof capability. The design is also highly tamper-proof.



Central Mount with Extended Cable

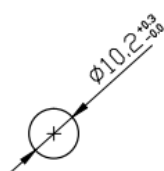
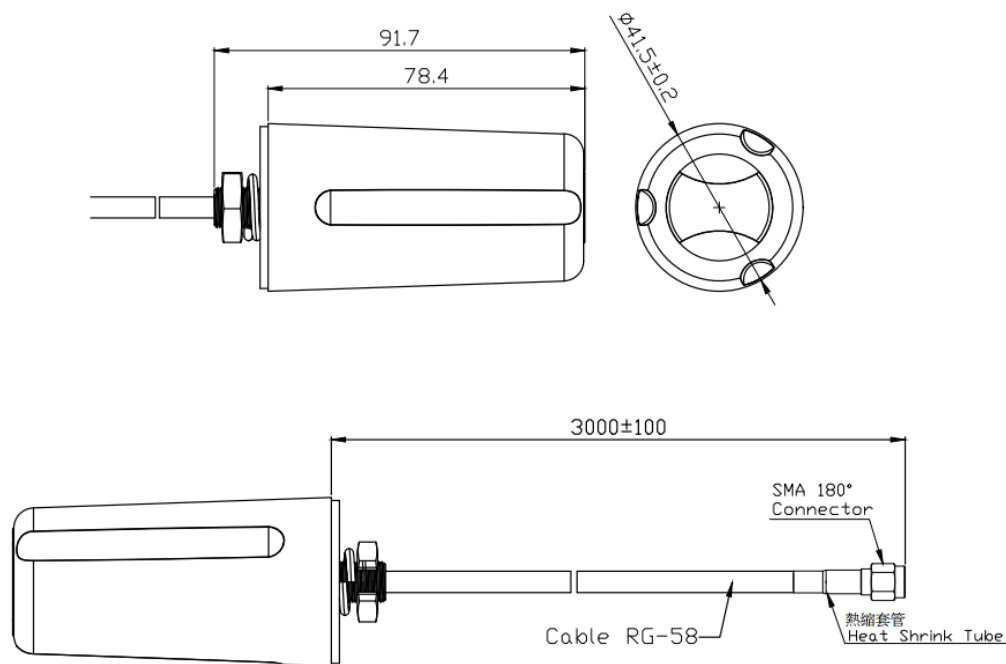
CCL-1 has central mount N-type female connector, can be connected to an corresponded adapter cable, enabling flexible setup.



Ground Independent

CCL-1 is ground independent for fixing on any surface with consistent performance.

Drawing



Recommended size for installation hole

Electrical Specification

Frequency	698 ~ 2690MHz
Gain	4.0 dB (peak) 3.15 dB (average)
Efficiency (%)	74.3% (peak) 65.7% (average)
Impedance	50 ohm
VSWR	< 1.8
Polarization	Linear

Mechanical Specification

Dimension	97.5 x 41.5 (dia.) mm
Weight	84.5g
Mounting	Central mount
Connector/Cable	SMA(SP)+RG58 cable
Radome Material	ASA
Operating Temperature	-35°C to 85°C
Storage Temperature	-40°C to 85°C

* Specifications are subject to change without prior notice.